

# The Advanced Water Treatment Instruments



FloCounter <sup>VRIS</sup> series  
mhoCounter

- > Ergonomic Form factor
- > Advanced Technology
- > Simple to maintain
- > Yet Inexpensive...



... An Australian Meter

The **FloCounter** and **mhoCounter** is another step to deliver superb technology and convenience, all in a compact package to suit the growing needs of the industry. The 'easy to fit' Flowmeter & Conductivity/TDS Meter, increases the efficiency and aesthetics of any plant. Further, these easily programmable horizontal or vertically mountable meters provide schematic perfection.

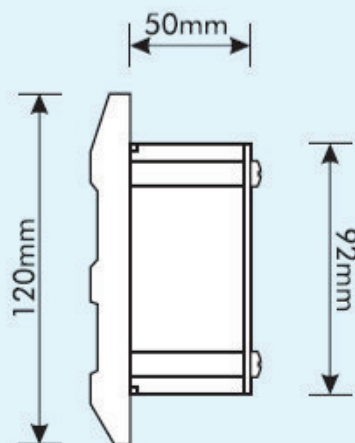
# FloCounter

WORLD WATER METER

The internationally designed and approved Flow sensor with German bearing provides higher accuracy & the high tech micro controller gives precise digital calculations.

Function	Rate Indication, Cumulative/Total count.
Accuracy	+/- 2% of F. S. D.
Meter Dimensions	111 x 106 x 68 mm
Display	7 Digit LCD
Mounting	On line type vertical or horizontal
Installation	Solventable T or Clamp-on Saddle
Protection	Weatherproof Enclosure
Programming	Through front panel keys.
Power Supply 3 options to choose from	AC - 70 to 270V DC - 10 to 30V Battery - 2 x 1.5 V DC, "AA size"
Operating Pressure	5 KG / Sq. Cm.
Operating Temp.	0 to 55°C
Standard Fittings	(1/2", 1", 1 1/2") T; (2", 2 1/2", 3", 4") saddle.
M.O.C.	P. P. Sensor; ABS Enclosure

Panel CutOut - 92 x 92 mm



\* extension of cable at your own risk

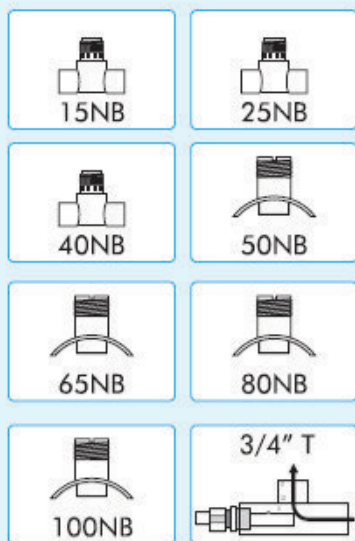
# mhoCounter

CONDUCTIVITY TDS METER

The internationally designed and approved CELL provides unmatched linearity with high-tech micro controller for precise digital calculations.

Function	Conductivity & TDS indication with Control
Accuracy	+/- 2% of F. S. D.
Meter Dimensions	111 x 106 x 68 mm
Display	4 Digit Customized LCD
Mounting	On line type vertical or horizontal
Protection	Weatherproof Enclosure
Programming	Through front panel keys.
Power Supply	70 to 270V AC
M.O.C.	SS- 316, PTFE, Nylon; ABS Enclosure
Conductivity range	
For 1.00 Cell	9 - 9999 $\mu$ S/Cm (TDS: 0.66 - 6665 PPM)
For 0.10 Cell	0.9 - 999 $\mu$ S/Cm (TDS: 0.599 - 665 PPM)
For 0.01 Cell	0.01 - 99.9 $\mu$ S/Cm (TDS: 0.09 - 66.5 PPM)

## FITTINGS



moseb

exclusive partner

moseb pty ltd